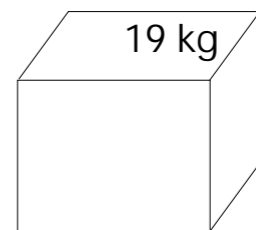
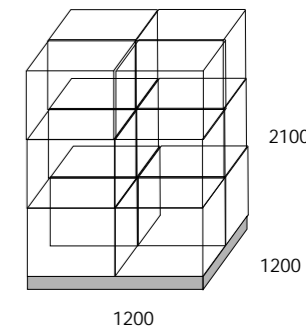


BioBox M



600x600x850



1 pc size 600x600x630 mm
12 pcs size 1200x1200x2100 (with pallet)

q-max 400/ 24 h - 50 l/ h

Malli, varustetaso, lisävarusteet:

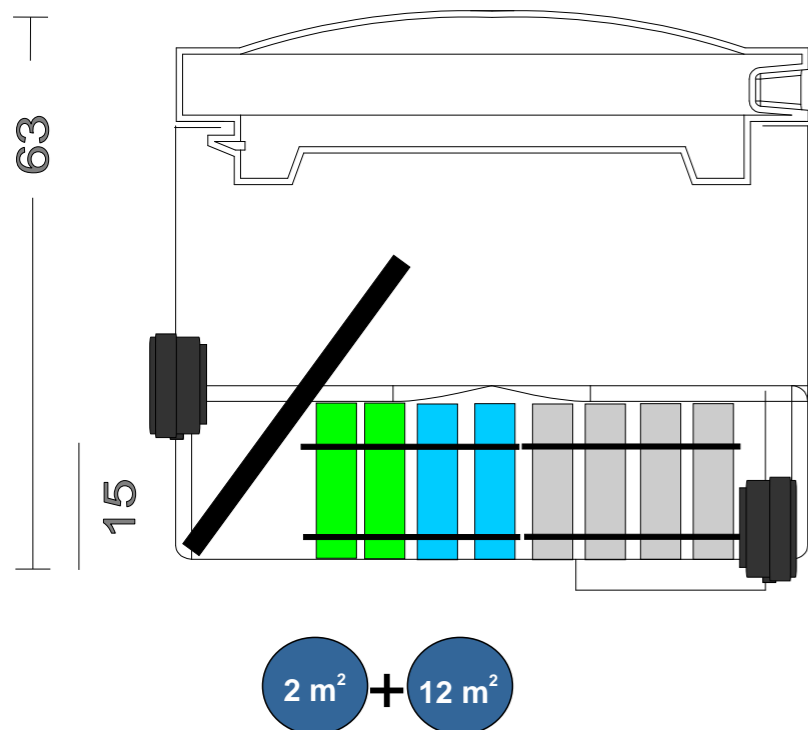
Malli	Kapasiteetti l/ 24 h	SK 420	SK600	SK1200 SAV	BM	Pakor
Bio-Box M	400	+	+	+	+	+

Modell, utrustningsnivå, tillägsutrustning::

Modell	Kapasitet l/ 24 h	SK 420	SK600	SK1200 SAV	BM	Pakor
Bio-Box M	400	+	+	+	+	+

Model, equipment level, auxiliary equipment:

Model	Capacity l/ 24 h	SK 420	SK600	SK1200 SAV	BM	Pakor
Bio-Box M	400	+	+	+	+	+



		Scale:
raitabiobox.fi		BioBox M
		2019

BioBox M

q-max 400l/ 24 h - 50 l/ h

Malli, varustetaso, lisävarusteet:

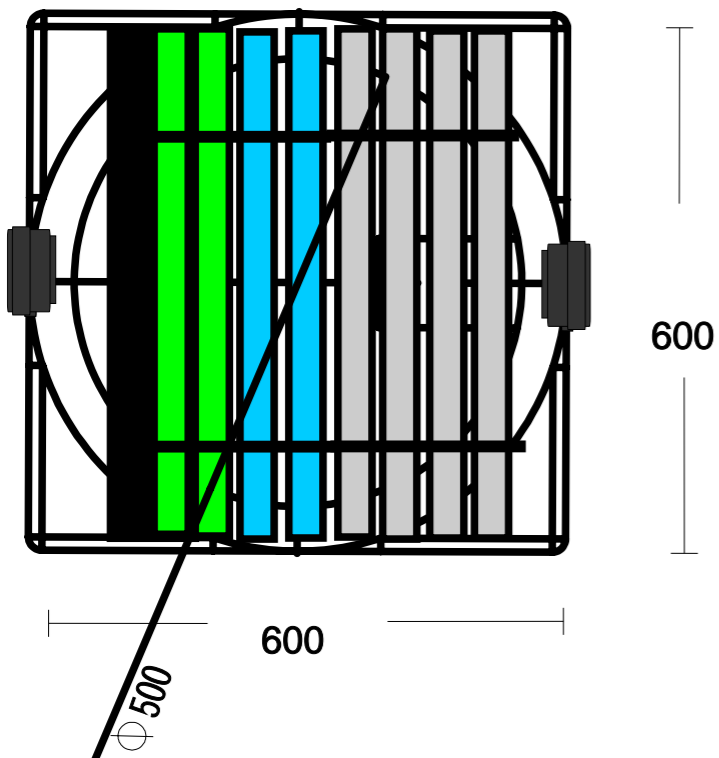
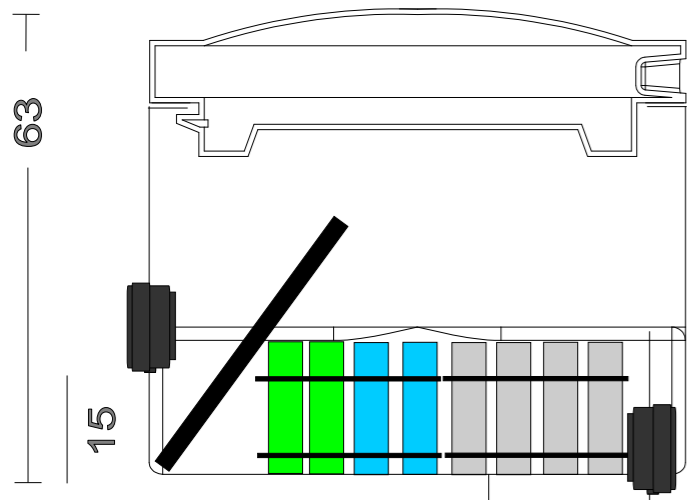
Malli	Kapasiteetti l/ 24 h
Bio-Box L	400

Modell, utrustningsnivå, tilläggsutrustning::

Modell	Kapasitet l/ 24 h
Bio-Box L	400

Model, equipment level, auxiliary equipment:

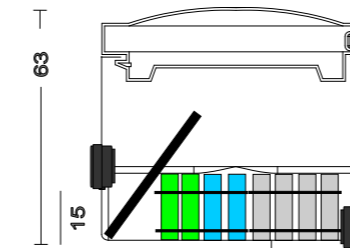
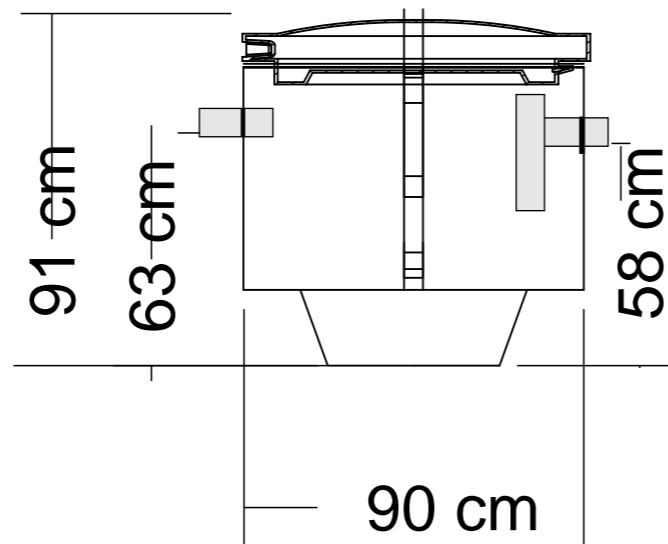
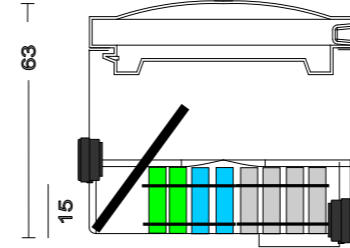
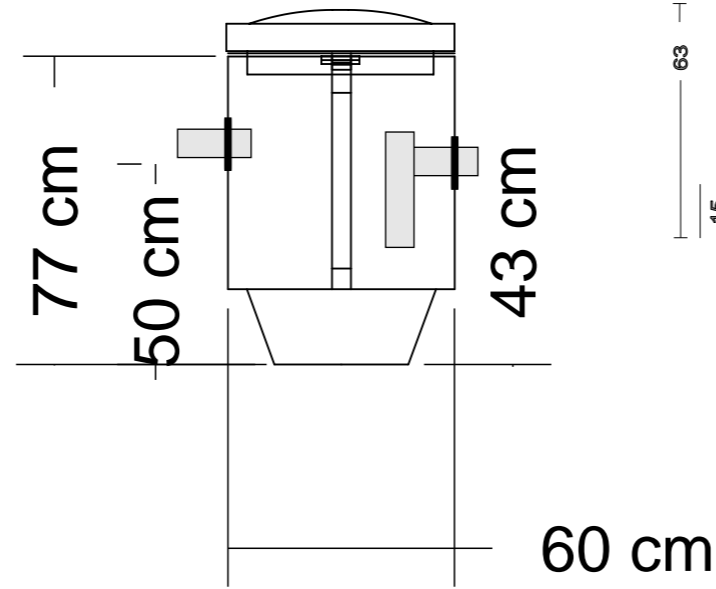
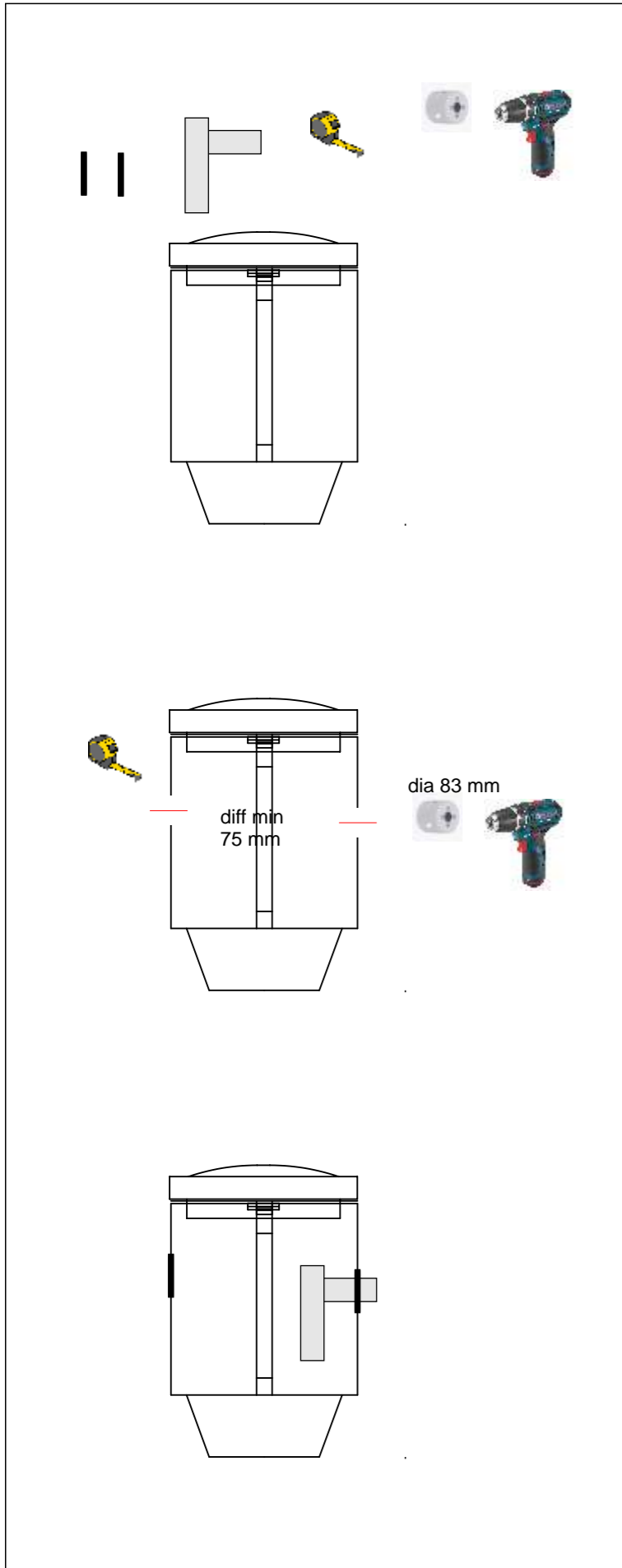
Model	Capacity l/ 24 h
Bio-Box L	400



		Scale:
	BioBox M	2019
raitabiobox.fi		

Sk100 / Sk250 + BioBoxM

q-max 400 l / 24 h - 50 l / h



		Scale:
	BioBox M	2019
raitabiobox.fi		

BioBox M

sbio_w

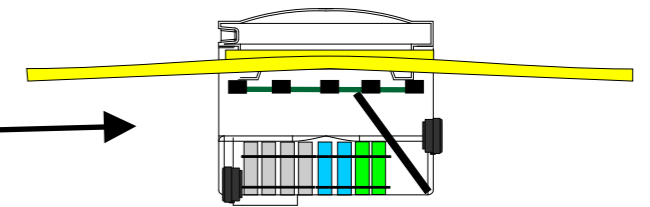
Lämmityskaapeli paketti | Heating cable package | Värmekabelpaket:

2m + 2m -40 °C.....+65 °C 230 V AC 50 Hz 16A – 10 W/m | clips10 pcs | cable seal 1 pcs



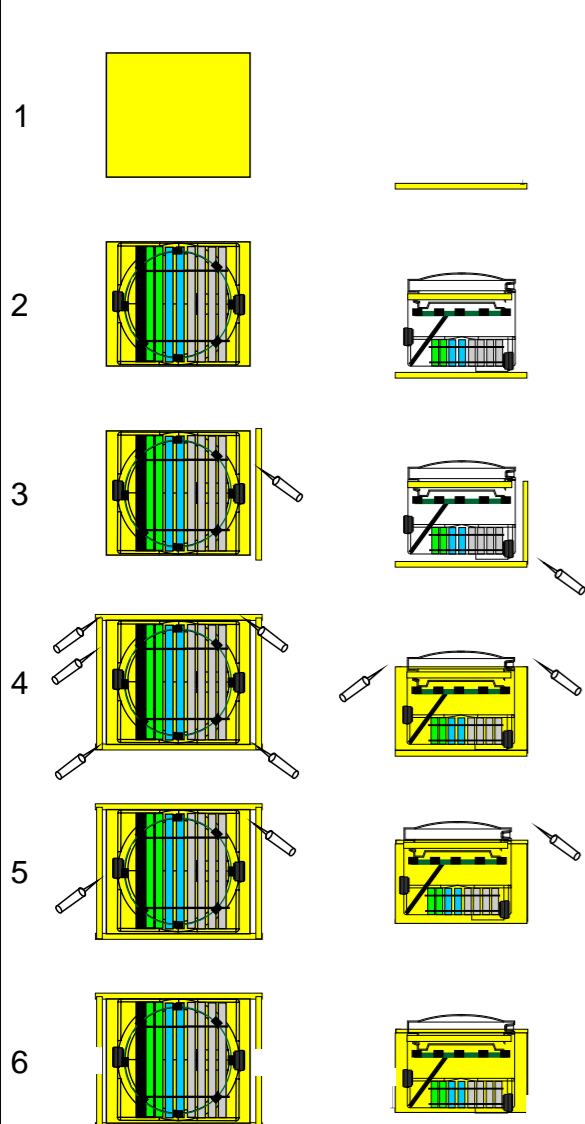
sbio_m_e2

eristepaketti maanalla | isolationspaket under markytan | isolationpackage under the earth surface

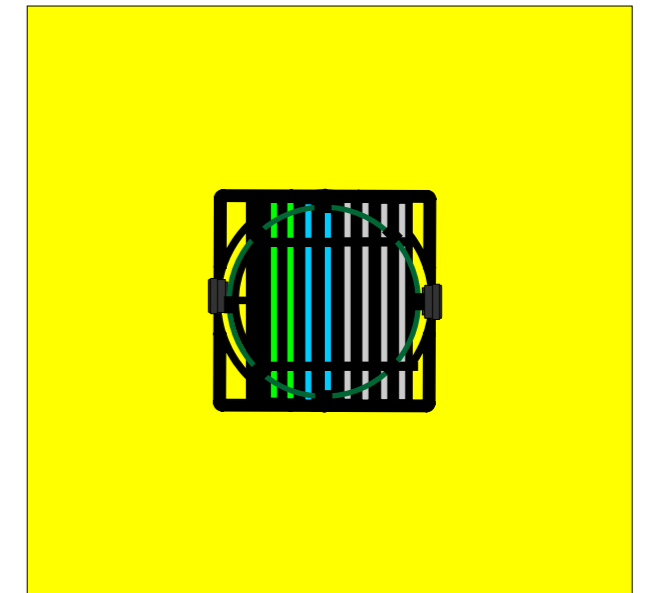


sbio_m_er1

eristepaketti maanpäälle | isolationspaket ovanpå markytan | isolationpackage over the earth surface



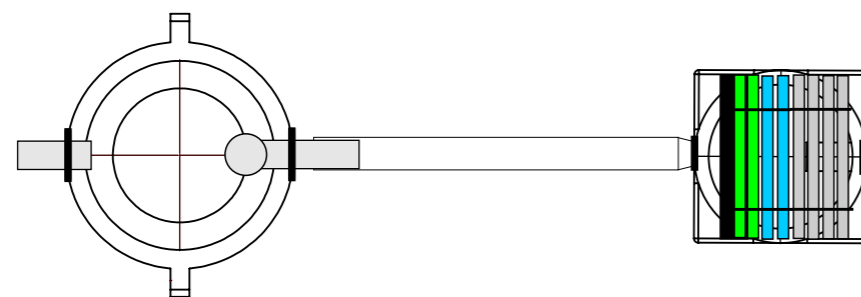
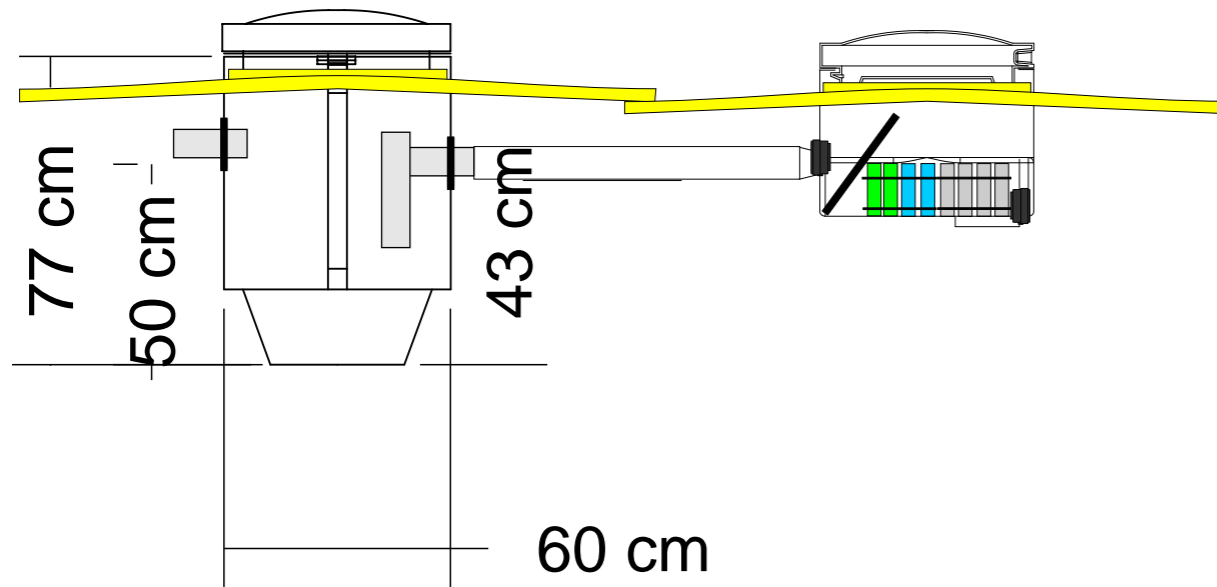
- pohja, bottom, botten 700x700 mm (-140x270 mm pois, off, av (out)t) - 50 mm (finnfoam)
- päädyt, ends, ändarna 370x600 mm x 2 + D 92 mm - 50 mm (finnfoam)
- seinät, wall, väggarna 370x700 mm x 2 + - 50 mm (finnfoam)
- kansi, cover, lock 700x700 mm - D610 reikä, hole, öppning - 50 mm (finnfoam)
- pyöreä kansi, round cover, rund lock 2x D600 - 15 mm (ppfoam)
- uretan 500 ml



		Scale:
	BioBox M	2019
raitabiobox.fi		

Sk100 + BioBoxM

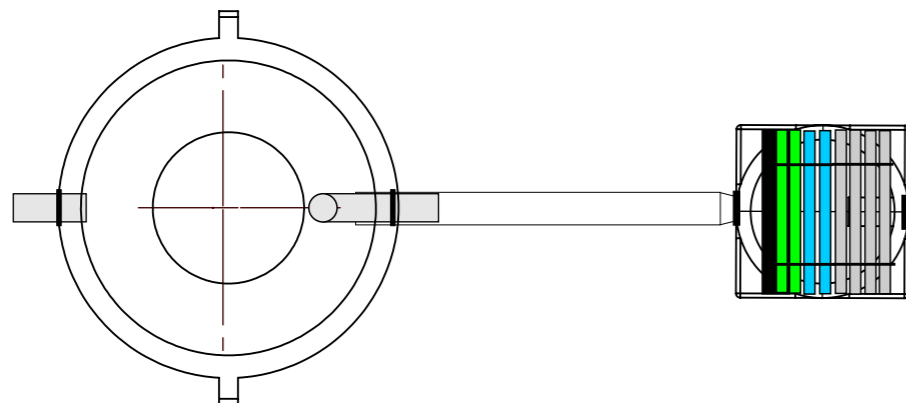
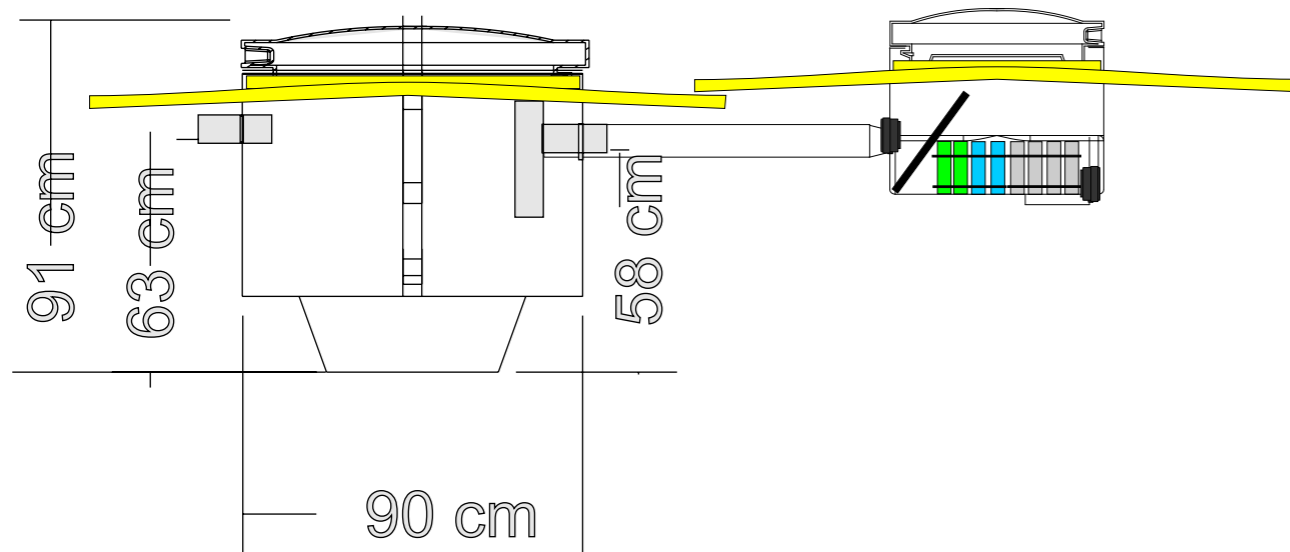
q-max 400 l / 24 h - 80 l / h



		Scale:
	BioBox M	2019
raitabiobox.fi		

Sk250 + BioBoxM

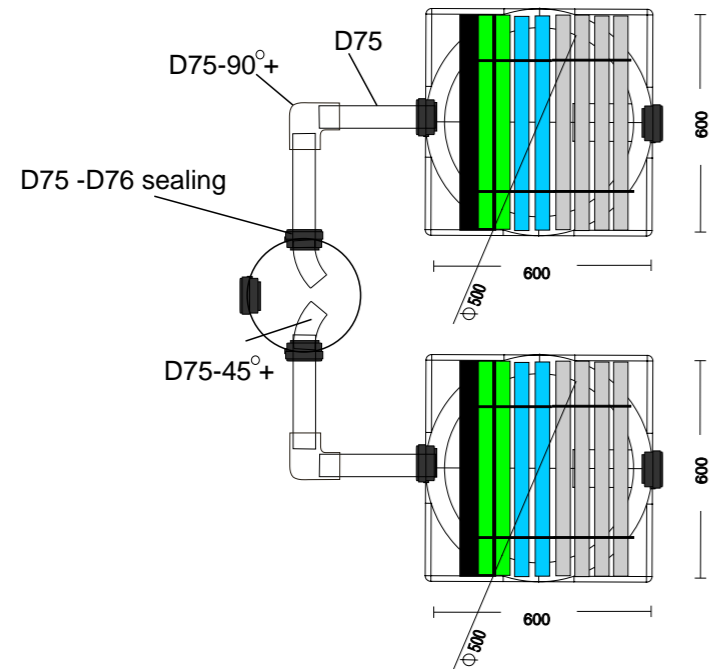
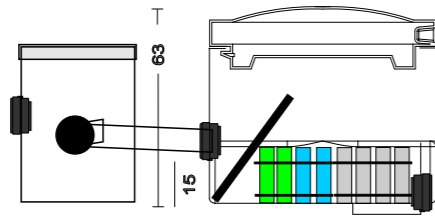
q-max 400 l / 24 h - 100 l / h



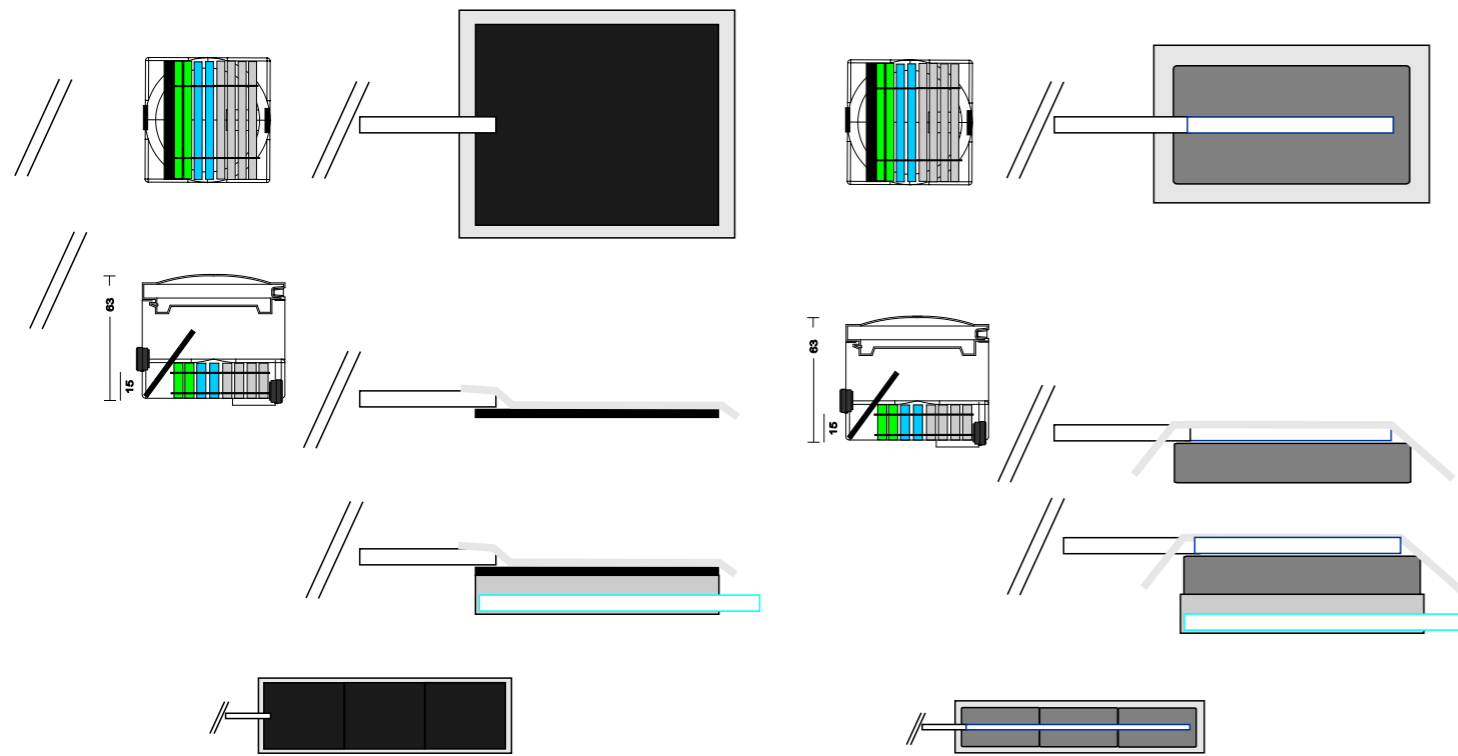
		Scale:
	BioBox M	2019
www.raita.com		

BioBox M x 2

q-max 800l/ 24 h - 100 l/ h



		Scale:
	BioBox M	2018
raitabiobox.fi		



Malli, varustetaso, lisävarusteet:

Malli	Kapasiteetti l/ 24 h	SK 420	SK600	SK1200 SAV	BM	Pakor
Bio-Box L	400	+	+	+	+	+

Modell, utrustningsnivå, tilläggsutrustning::

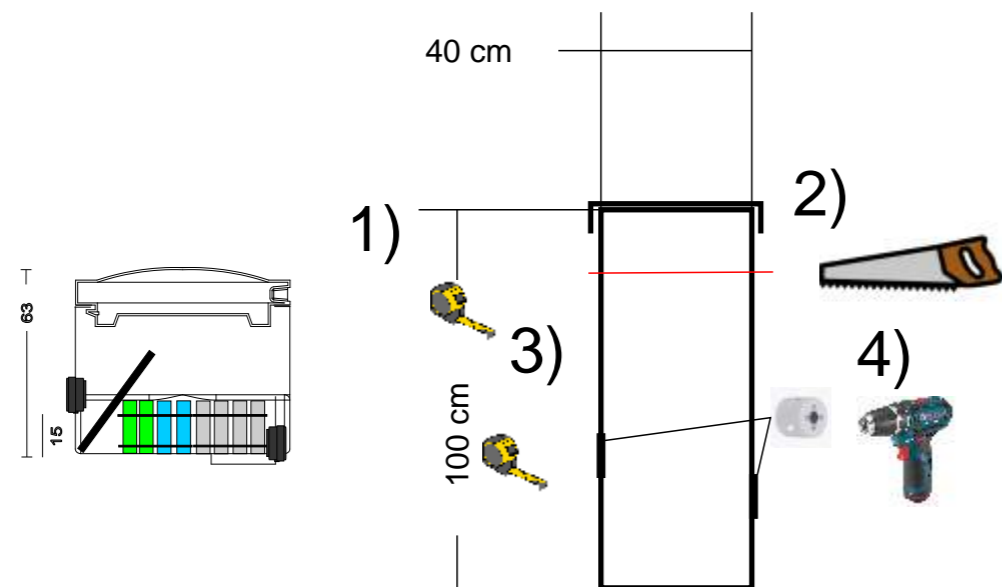
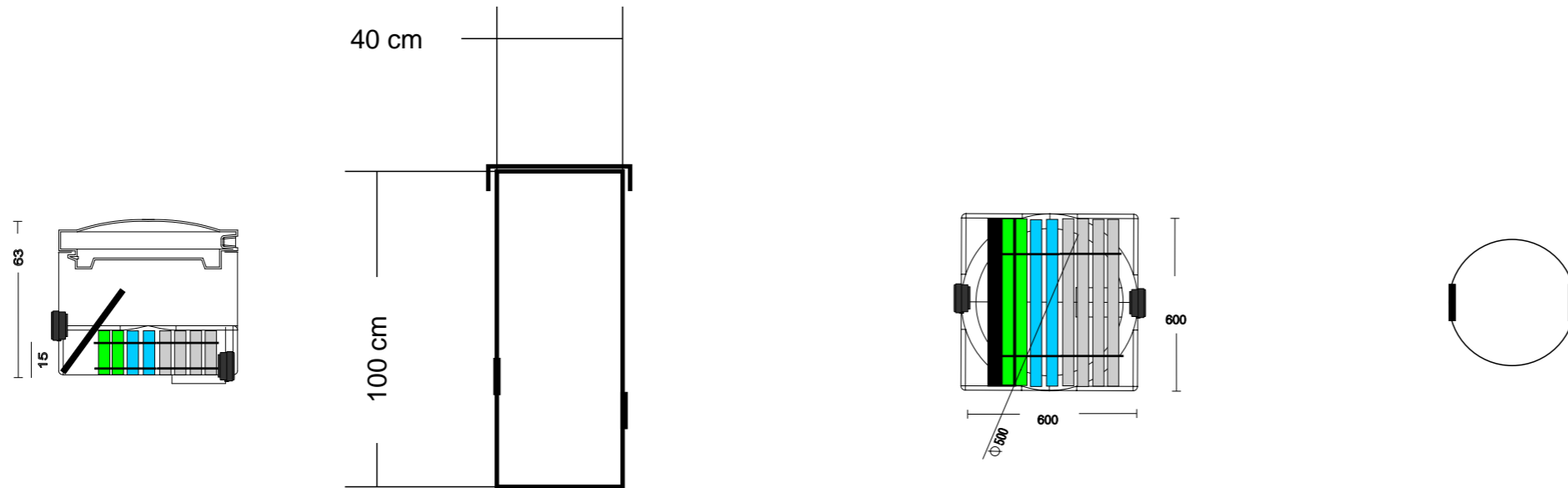
Modell	Kapasitet l/ 24h	SK 420	SK600	SK1200 SAV	BM	Pakor
Bio-Box L	400	+	+	+	+	+

Model, equipment level, auxiliary equipment:

Model	Capacity l/ 24 h	SK 420	SK600	SK1200 SAV	BM	Pakor
Bio-Box L	400	+	+	+	+	+

		Scale:
	BioBox M	2019
raitabiobox.fi		

BioBox M - Näytteenottokaivo



		Scale:
	BioBox XL	2019
raitabiobox.fi		